

2MP 45X LightHunter IR Network Camera

IPC6852ER-X45-VF



Features

- High quality image with 2MP, 1/1.8" CMOS sensor
- 1920*1080@30fps in the main stream
- Ultra 265, H.265, H.264, MJPEG
- 45X Optical Zoom
- Smart intrusion prevention, support false alarm filtering, include Cross Line, Intrusion, Enter Area, Leave Area detection
- People Counting, support people flow counting and crowd density monitoring, suitable for different statistical scenarios
- Lighthunter technology ensures ultra-high image quality in low illumination environment
- Smart IR, up to 250m (820ft) IR distance
- AC 24V ±25%, DC 24V±25%, PoE++ (IEEE 802.3bt) power supply
- Alarm 7 in and 2 out, Audio 1 in and 1 out
- IP66 ingress protection

Specifications

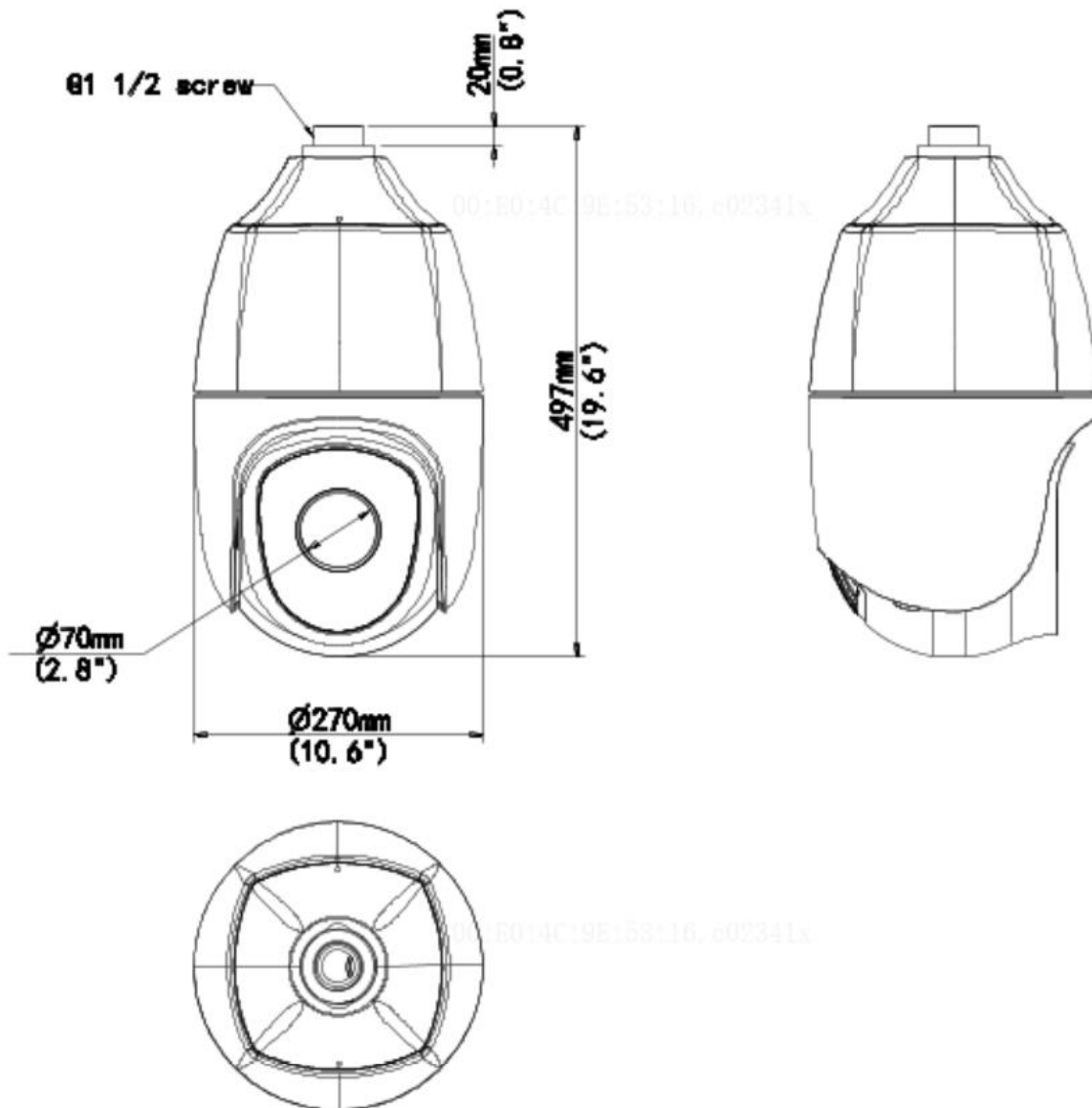
| Camera | Description |
|--------|-------------|
|--------|-------------|

| | |
|----------------------------|--|
| Sensor | 1/1.8" CMOS |
| Min. Illumination | Colour: 0.0005Lux (F1.2, AGC ON) 0Lux with IR |
| Day/Night | IR-cut filter with auto switch (ICR) |
| Shutter | Auto/Manual, 1 ~ 1/100000s |
| WDR | 120dB |
| S/N | >52dB |
| Lens | Description |
| Lens Type | 5.7 ~ 256.5mm |
| Digital Zoom | 16X |
| Optical Zoom | 45X |
| Iris | F1.2 ~ F4.6 |
| Field of View (H) | 59.5° ~ 2.2° |
| Field of View (V) | 35.6° ~ 1.2° |
| Field of View (D) | 73.19° ~ 2.60° |
| DORI | Description |
| DORI Distance(Lens) | 5.7~256.5(mm) |
| DORI Distance(Detect) | 88.4m~3980.2m(290.2ft~13058.3ft) |
| DORI Distance(Observe) | 35.4m~1592.1m(116.1ft~5223.3ft) |
| DORI Distance(Recognize) | 17.7m~796.0m(58.0ft~2611.7ft) |
| DORI Distance(Identify) | 8.8m~398.0m(29.0ft~1305.8ft) |
| Illuminator | Description |
| Illumination Distance(IR) | 250m |
| IR On/Off Control | Auto/Manual |
| Wavelength | 850nm |
| Image | Description |
| EIS | Support |
| White Balance | Auto; Outdoor; Fine Tune; Sodium Lamp; Locked; Auto2 |
| Digital Noise Reduction | 2D/3D DNR |
| Flip | Normal; Flip Vertical; Flip Horizontal; 180° |
| HLC | Support |
| BLC | Support |
| Defog | Digital Defog; Optical Defog |
| Intelligent | Description |
| Exception Detection | Object Removed; Object Left Behind |
| Smart Intrusion Prevention | Support false alarm filtering: Cross line detection, Intrusion detection, Enter area detection, Leave area detection |
| People Counting | Support People Flow Counting and Crowd Density Monitoring |
| Video | Description |
| Video Compression | Ultra 265; H.265; H.264; MJPEG |

| | |
|------------------------|--|
| Frame Rate | Main Stream: 2MP (1920*1080), Max 30fps Sub Stream: 2MP (1920*1080), Max 30fps Third Stream: D1 (720*576), Max 30fps |
| Video Bit Rate | 128 Kbps ~ 16 Mbps |
| U-code | Support |
| ROI | Up to 8 areas |
| Video Stream | Triple Streams |
| OSD | Up to 10 OSDs |
| Privacy Mask | 24 areas, up to 4 areas per scene |
| Events | Description |
| Basic Detection | Motion Detection; Audio Detection; Tampering Alarm |
| General Function | Watermark; IP Address Filtering; Access Policy; ARP Protection; RTSP Authentication; User Authentication; Alarm input; Alarm output |
| Audio | Description |
| Audio Compression | G.711U; G.711A |
| Audio Bitrate | 128 Kbps |
| Two-way Audio | Support |
| Suppression | Support |
| Sampling Rate | 16KHz |
| Storage | Description |
| Edge Storage | Micro SD, up to 512 GB |
| Network Storage | ANR; NAS (NFS) |
| Network | Description |
| Protocols | SSH; IGMP; RTP; RTCP; SMTP; IPv4; IPv6; ICMP; ARP; TCP; UDP; DHCP; PPPoE; RTSP; RTMP; DNS; DDNS; NTP; FTP; UPnP; HTTP; HTTPS; 802.1x; SNMP; QoS; SSL/TLS |
| Compatible Integration | ONVIF (Profile S, Profile G, Profile T, Profile M); API; SDK |
| User/Host | Up to 32 users. 3 user levels: administrator, common user and operator |
| Security | Password Protection; Strong Password; HTTPS Encryption; Export Operation Logs; Basic and digest authentication for RTSP; Digest authentication for HTTP; TLS 1.2; TLS1.3; WSSE and digest authentication for ONVIF |
| Client | EZStation; EZLive; EZView |
| Web Browser | Plug-in free live view: Chrome 57.0 and above, Firefox 58.0 and above, Edge 16 and above |
| Pan/Tilt | Description |
| Pan Range | 360° (endless) |
| Pan Speed | 0.1°/s ~ 180°/s |
| Tilt Range | - 15° ~ 90° (auto reverse) |
| Tilt Speed | 0.1°/s ~ 180°/s |
| Number of Presets | 1024 |
| Preset Patrol | 16 patrols, up to 64 presets for each patrol |
| Route Patrol | 16 patrols, up to 32 actions for each patrol |

| | |
|----------------------|---|
| Recorded Patrol | 16 patrols, up to 128 actions for each patrol |
| Patrol Stay Time | 15s ~ 1800s |
| Preset Image Freeze | Support |
| Home Position | Support |
| Interface | Description |
| Audio I/O | 1/1 |
| Alarm I/O | 7/2 |
| Serial Port | 1 * RS485 |
| Built-in Mic | N/A |
| Built-in Speaker | N/A |
| WIFI | N/A |
| Network | 1 * RJ45 10M/100M Base-TX Ethernet |
| Video Output | N/A |
| Certification | Description |
| EMC | CE-EMC (EN 55032:2015+A11:2020; EN IEC 61000-3-2:2019; EN 61000-3-3:2013+A1:2019; EN 55035:2017+A11:2020) FCC (FCC CFR 47 part15 B, ANSI C63.4-2014) |
| Safety | CE LVD (EN 62368-1:2014+A11:2017) UL (UL 62368-1, 2nd Ed., Issue Date: 2014-12-01) |
| Environment | CE-ROHS (2011/65/EU;(EU)2015/863) |
| Protection | IP66 (IEC 60529:1989+AMD1:1999+AMD2:2013) |
| General | Description |
| Power | AC 24V ±25%, DC 24V±25%, PoE++ (IEEE 802.3bt) |
| Power Consumption | Max 61W |
| Power Interface | Wires with cold-pressed terminal |
| Dimensions | Ø 270 x 497mm(Ø 10.6" x 19.6") |
| Weight | 10.3kg(22.66lb) |
| Working Environment | -40 °C ~ 70 °C (-40 °F ~ 158 °F), Humidity: ≤95% RH (non-condensing) |
| Storage Environment | -40 °C ~ 70 °C (-40 °F ~ 158 °F), Humidity: ≤95% RH (non-condensing) |
| Surge Protection | 6KV |
| Reset Button | Support |

Dimensions



Zhejiang Uniview Technologies Co., Ltd.

No. 369, Xietong Road, Xixing Sub-district, Binjiang District, Hangzhou City, 310051, Zhejiang Province, China

Email: overseasbusiness@uniview.com; globalsupport@uniview.com

<http://www.uniview.com>

©2023-2024 Zhejiang Uniview Technologies Co., Ltd. All rights reserved.

*Product specifications and availability are subject to change without notice.

*Despite our best efforts, technical or typographical errors may exist in this document. Uniview cannot be held responsible for any such errors and reserves the right to change the contents of this document without prior notice.